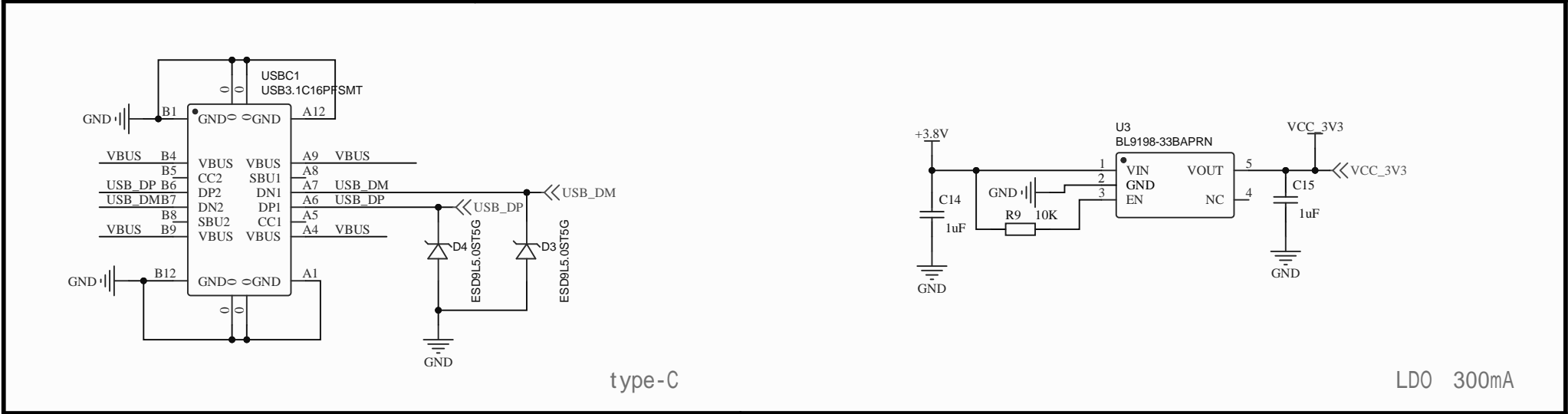


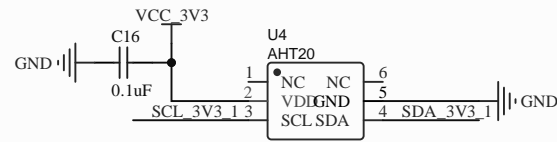
DCDC 3A



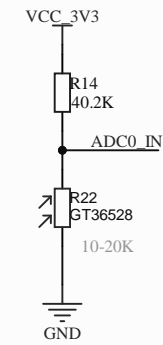
type-C

LDO 300mA

Title		
Size A4	Number	Revision
Date: 3-31-2023	Sheet of	
File: G:\项目\...\2.POWER.SchDoc	Drawn By:	



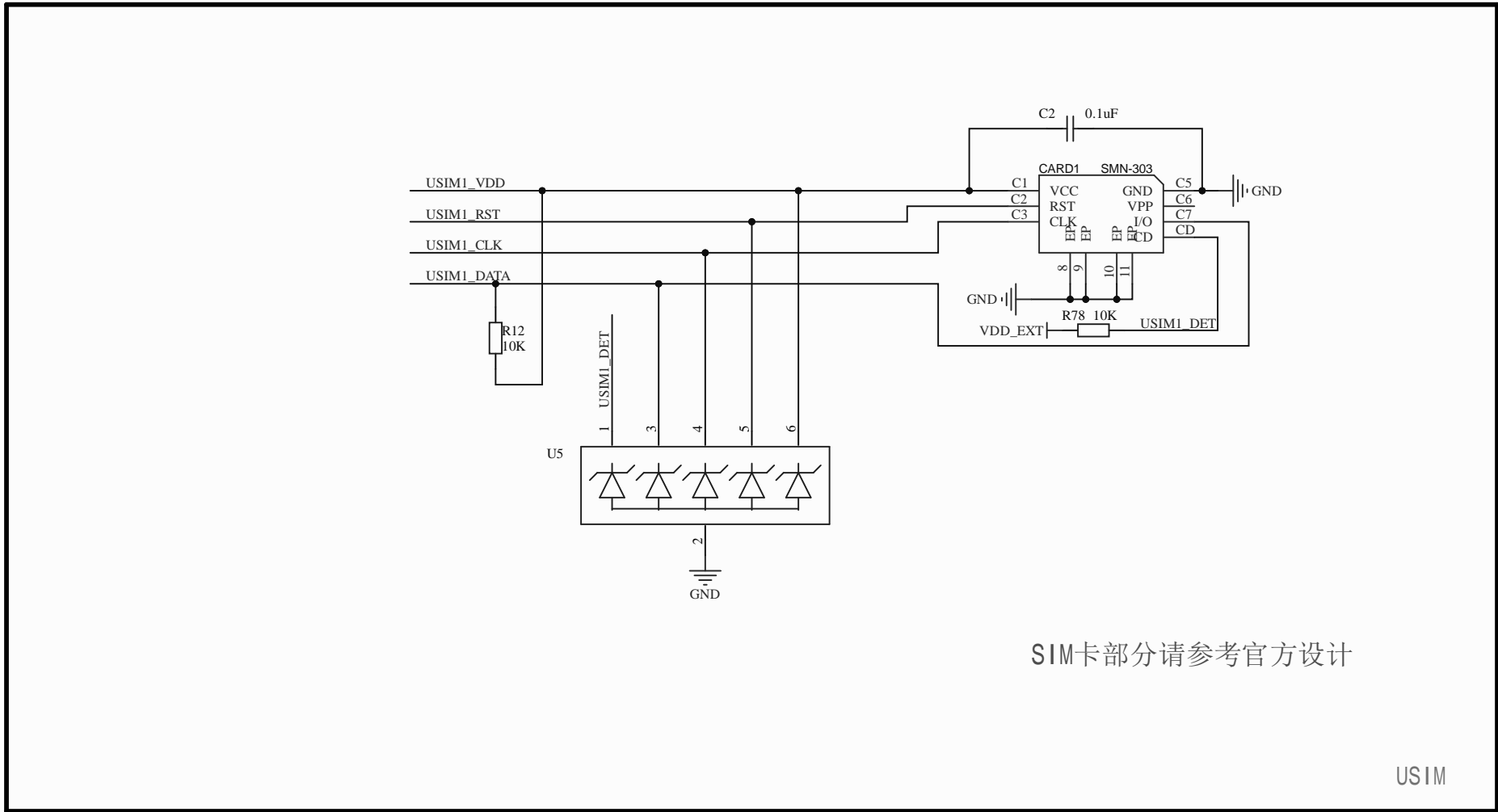
温湿度传感器



光敏电阻

SENSOR

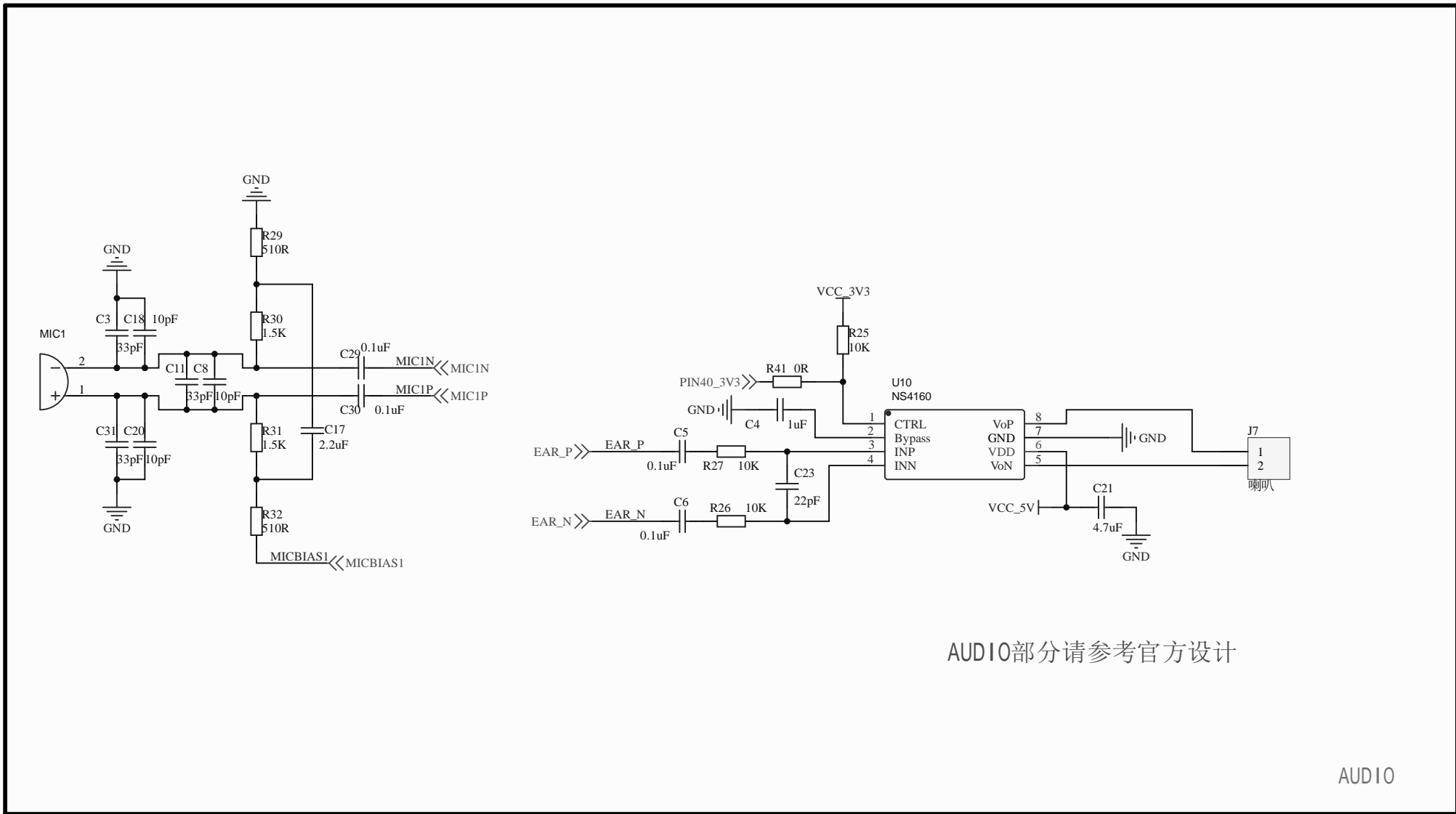
Title		
Size	Number	Revision
A4		
Date:	3-31-2023	Sheet of
File:	G:\项目 \..\3.SENSOR+EEPROM.SchDoc Drawn By:	



SIM卡部分请参考官方设计

USIM

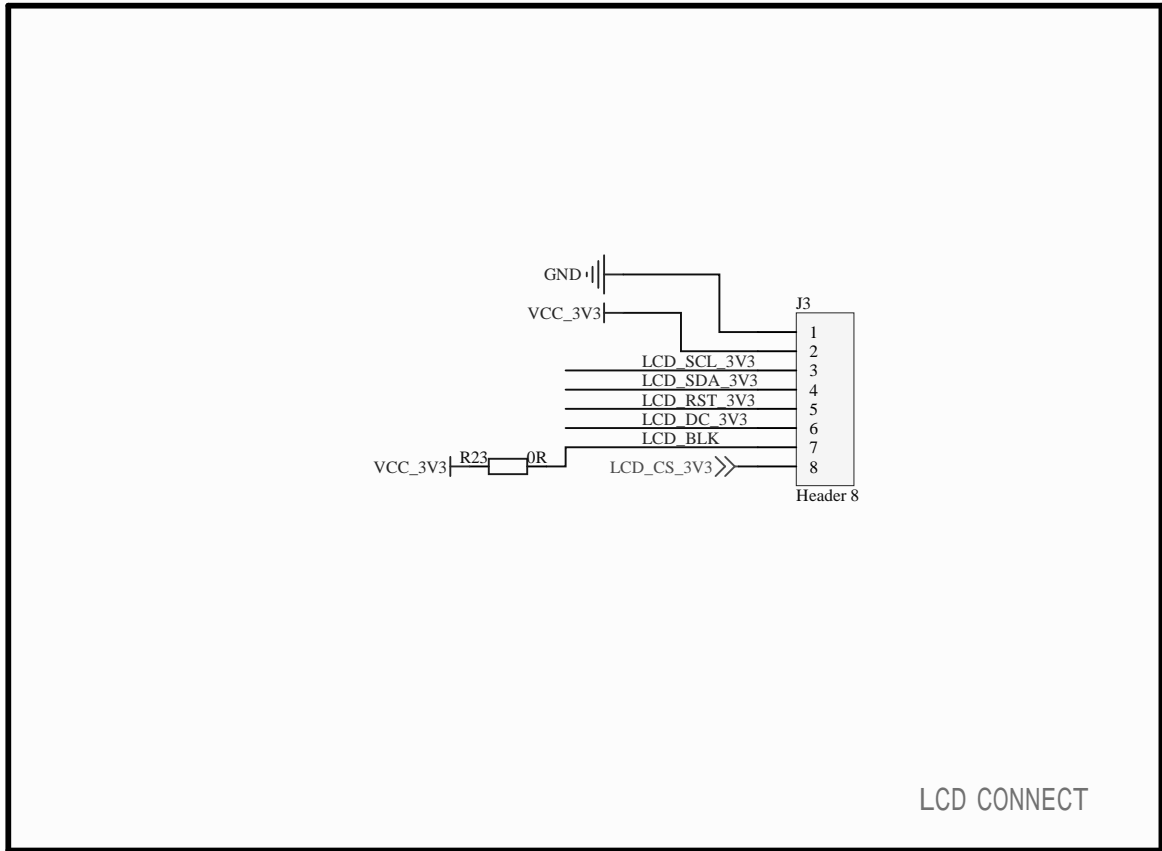
Title		
Size	Number	Revision
A4		
Date:	3-31-2023	Sheet of
File:	G:\项目\...\4.SIM-CARD.SchDoc	Drawn By:



AUDIO部分请参考官方设计

AUDIO

Title		
Size	Number	Revision
A4		
Date:	3-31-2023	Sheet of
File:	G:\项目\...\5.AUDIO.SchDoc	Drawn By:



LCD CONNECT

Title		
Size	Number	Revision
A4		
Date:	3-31-2023	Sheet of
File:	G:\项目\...\7.LCM.SchDoc	Drawn By: